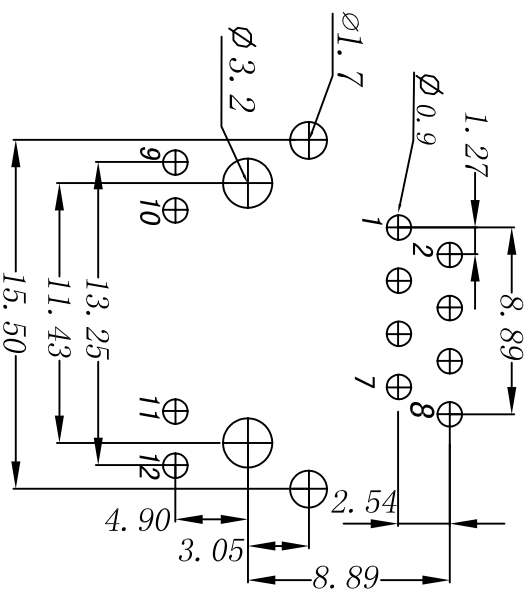
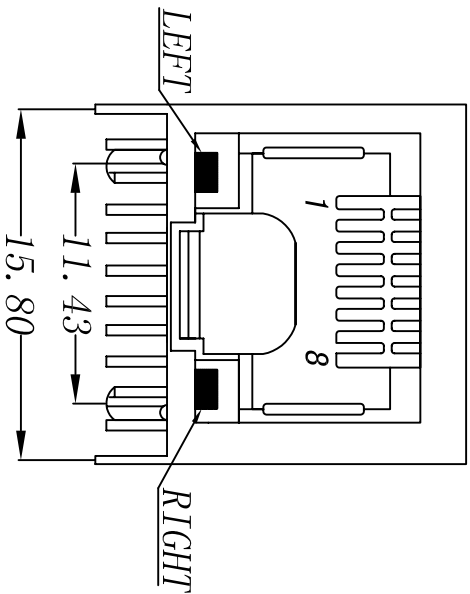
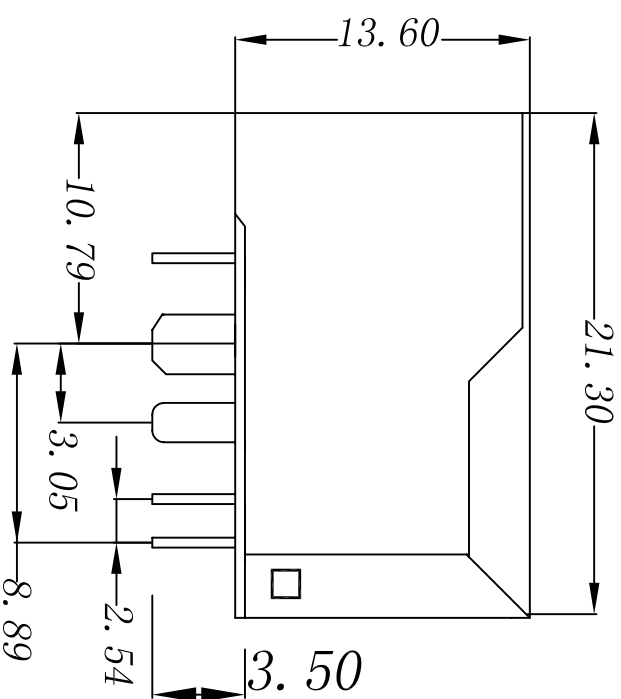


# Mechanical :



SUGGESTED PCB LAYOUT

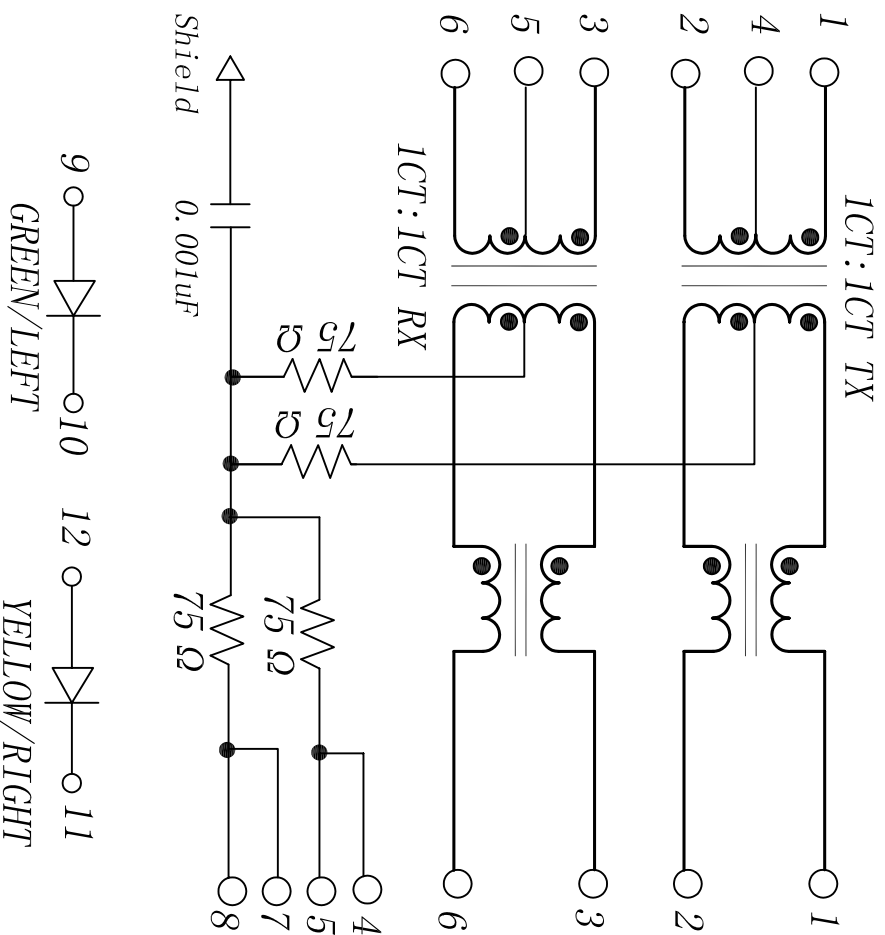


- NOTES: 1. Designed to support application, such as SOHO (ADSL modems), LAN-on-Motherboard (LOM), hub and Switches.  
 2. Available with and without LEDs.  
 3. 350uH min OCL with 8mA bias current.  
 4. ROHS "NL" peak solder rating 235°C.

REV.	ECN NO.	DESCRIPTION	DATE	APPD
A	REL		08/06/2007	

X:X	±0.20	APPD:	<b>Beijing BOCON Automation Tech co., Ltd</b>	
X:XX	±0.10	CHKD: miles		
X:XXX	±0.05	DR:	Title: 10/100 Base-TX RJ45 Connector With Integrated Magnetic	
ANGLES	±1°	UNIT: mm	PART NO.: B-TRJ4037FBVL	
	SCALE: 2/1	SHEET: 1/1	REV: A	DWG:

# Schematic:



## Electrical Specification@25°C

1. TURNS RATIO ( $\pm 2\%$ ):  
TX=ICT:ICT RX=ICT:ICT
2. HIPOT:  
1500VAC FOR 60 SECONDS
3. INSERTION LOSS:  
-1.0dB MAX @ 1.0MHZ TO 65MHZ
4. RETURN LOSS:  
-20dB MIN @ 1MHZ TO 10MHZ  
-16dB MIN @ 10MHZ TO 30MHZ  
-12dB MIN @ 30MHZ TO 60MHZ  
-10dB MIN @ 60MHZ TO 100MHZ
5. CROSS TALK:  
-40dB MIN @1MHZ TO 30MHZ  
-35dB MIN @30MHZ TO 60MHZ  
-30dB MIN @60MHZ TO 100MHZ
6. COMMON TO COMMON MODE REJECTION:  
-30dB MIN @1MHZ TO 50MHZ  
-20dB MIN @5MHZ TO 150MHZ
7. Operating Temperature:-40~85°C

REV.	ECN NO.	DESCRIPTION	DATE	APPD
A	REL		08/06/2007	

X:X	$\pm 0.20$	APPD:	<b>Beijing BOCON Automation Tech co., Ltd</b> <i>Title: 10/100 Base-TX RJ45 Connector With Integrated Magnetic</i> PART NO.: B-TRJ4037FBN1	
X:XX	$\pm 0.10$	CHKD: miles		
X:XXX	$\pm 0.05$	DR:		
ANGLES	$\pm 1^\circ$	UNIT: mm		

	SCALE:	2/1	SHEET:	2/2	REV:	A	DWG:
--	--------	-----	--------	-----	------	---	------