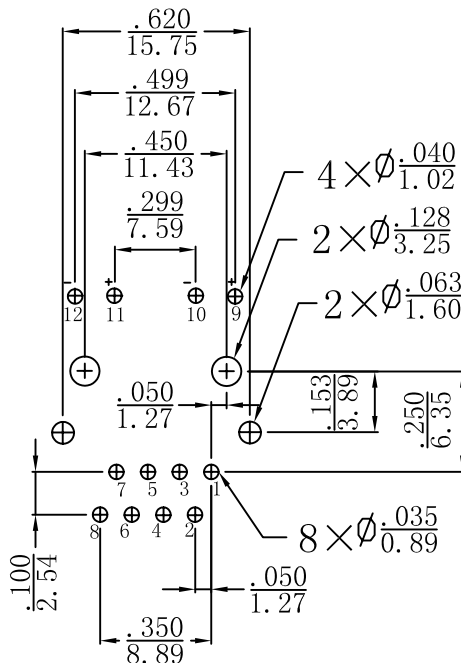
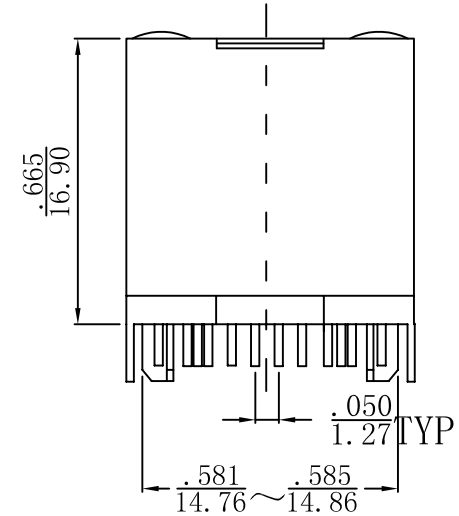
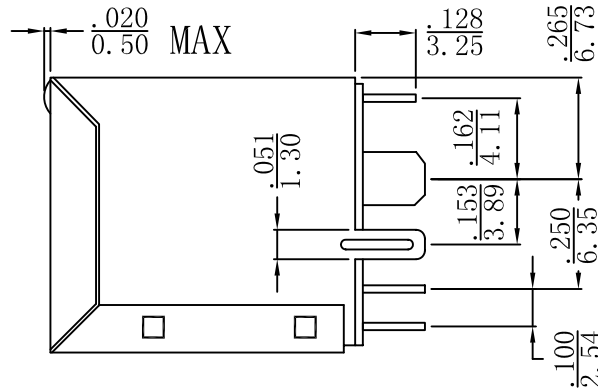
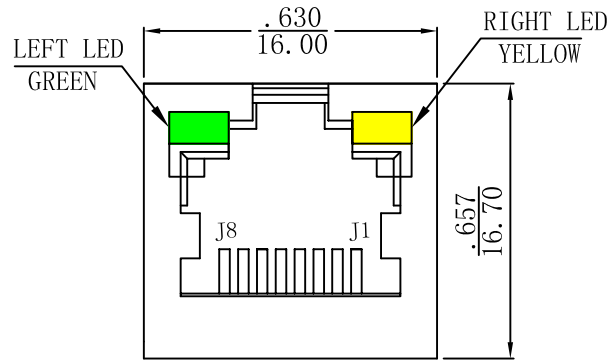
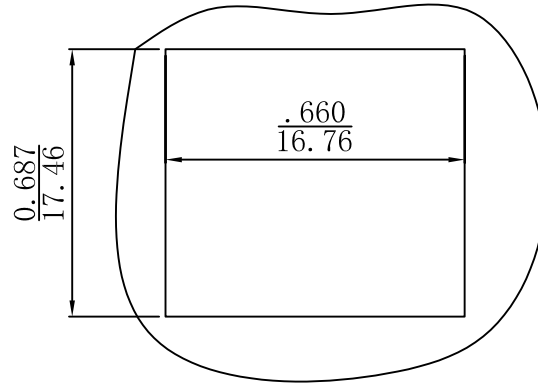


Mechanical:

| REV. | ECN NO. | DESCRIPTION | DATE | APPD |
|------|---------|-------------|------------|------|
| A | REL | | 2010/09/15 | |



SUGGESTED PCB LAYOUT (TOP VIEW)



RECOMMENDED PANEL CUTOUT DIMENSION



NOTES:

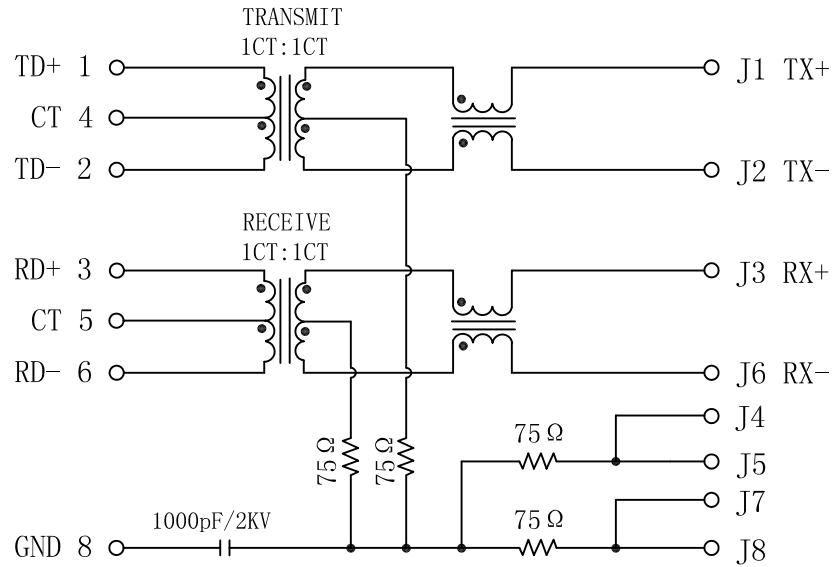
1. Designed to support application, such as SOHO (ADSL modems), LAN-on-Motherboard (LOM), hub and Switches.
2. Meets IEEE 802.3 specification
3. Connector Materials:
Housing: Thermoplastic UL94V-0
Contact/Shield: Copper alloy
Shield plating: Nickel
Contact plating: Gold 6 micro-inches min. In contact area.
4. Wave solder tip temperature: 265°C Max
Wave solder tip temperature time: 5 Sec Max
5. UL Certification: File Number E321120

| | | | |
|--------|------------|-----------------|---|
| X:X | ±0.20 | APPD: | Beijing BOCON Automation Tech Co.,Ltd |
| X:XX | ±0.10 | CHKD: | |
| X:XXX | ±0.05 | DR: C. H. Y | Title: Vertical RJ45 Connector With 10/100 Magnetic |
| ANGLES | ±1° | UNIT: Inches/mm | PART NO.: B-TRJD4011BENL |
| | SCALE: 2/1 | SHEET: 1/2 | REV: A |
| | | DWG NO.: | B-TRC10091505 |

Schematic:

| REV. | ECN NO. | DESCRIPTION | DATE | APPD |
|------|---------|-------------|------------|------|
| A | REL | | 2010/09/15 | |

PC BOARD CONNECTIONS

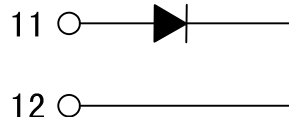


RJ45 CONNECTOR

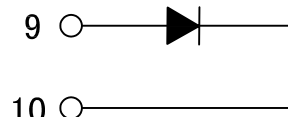
Electrical Specifications @25°C

- Turns Ratio:
TX=1CT:1CT RX=1CT:1CT
- Inductance (@100KHz 0.1V 8mA): 350uH Min
- Insertion Loss:
1-65MHz: -1.0dB Max
- Return Loss (dB Min):
1-30MHz: -18 40MHz: -16
50MHz: -12 60MHz: -10
- Crosstalk (dB Min):
30MHz: -40 60MHz: -35
100MHz: -30
- CMR: (dB Min):
30MHz: -30 60MHz: -20
100MHz: -20
- HI-POT: 1500V
- Operating Temperature: 40°C ~ 85°C.

GREEN/LEFT LED



YELLOW/RIGHT LED



| | | | |
|--------|------------|-----------------|---|
| X:X | ±0.20 | APPD: | Beijing BOCON Automation Tech Co.,Ltd |
| X:XX | ±0.10 | CHKD: | |
| X:XXX | ±0.05 | DR: C. H. Y | Title: Vertical RJ45 Connector With 10/100 Magnetic |
| ANGLES | ±1° | UNIT: Inches/mm | PART NO.: B-TRJD4011BENL |
| | SCALE: 2/1 | SHEET: 2/2 | REV: A DWG NO.: B-TRC10091505 |