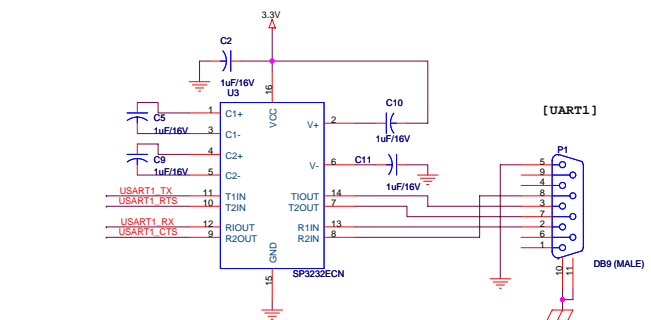
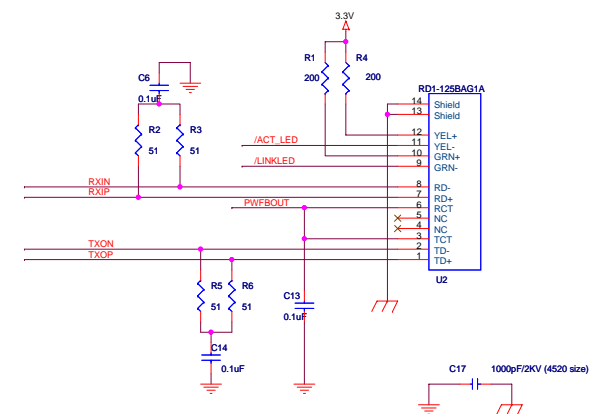


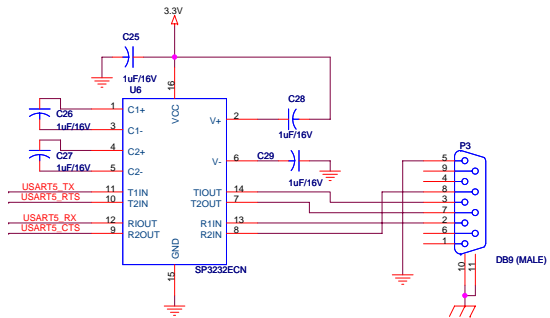
[UART2]



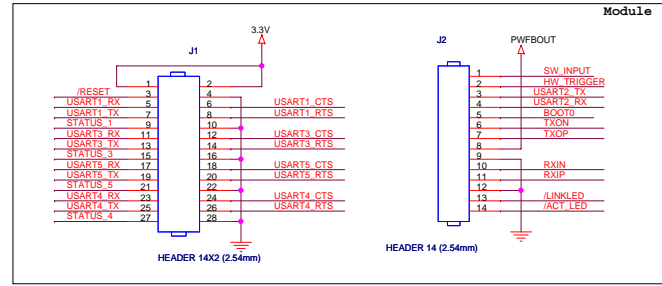
[UART1]



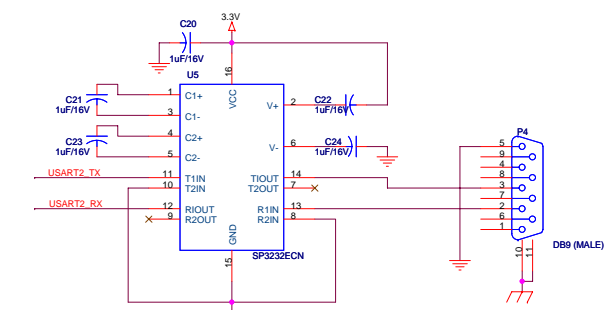
[CONSOLE]



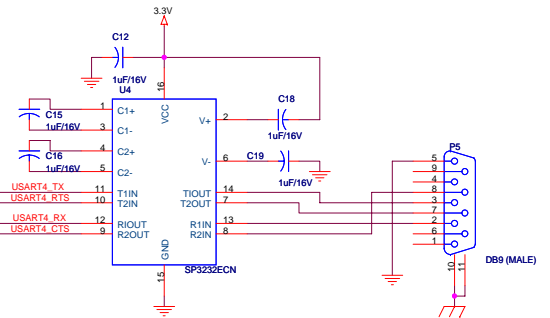
[UART3]



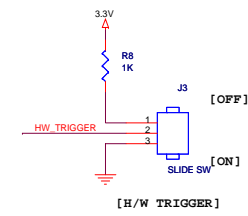
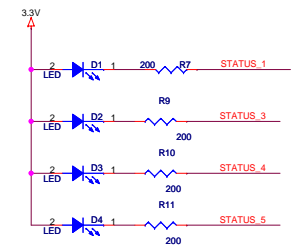
Module



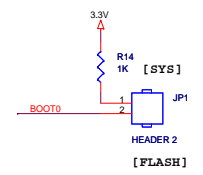
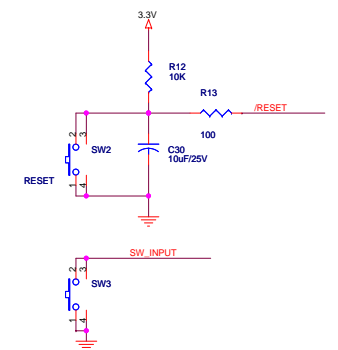
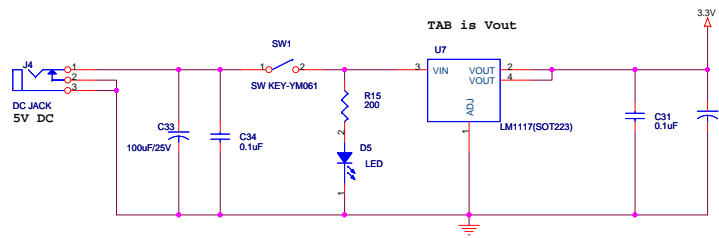
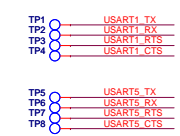
DB9 (MALE)



[UART4]



[H/W TRIGGER]



[FLASH]

