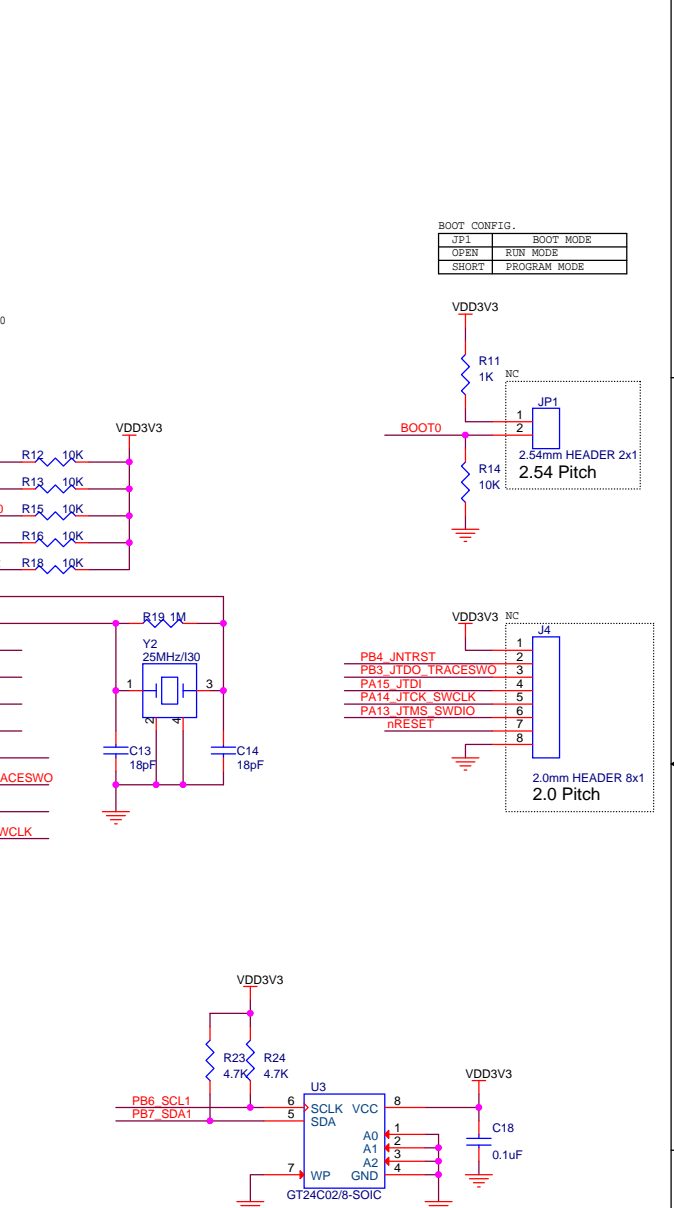
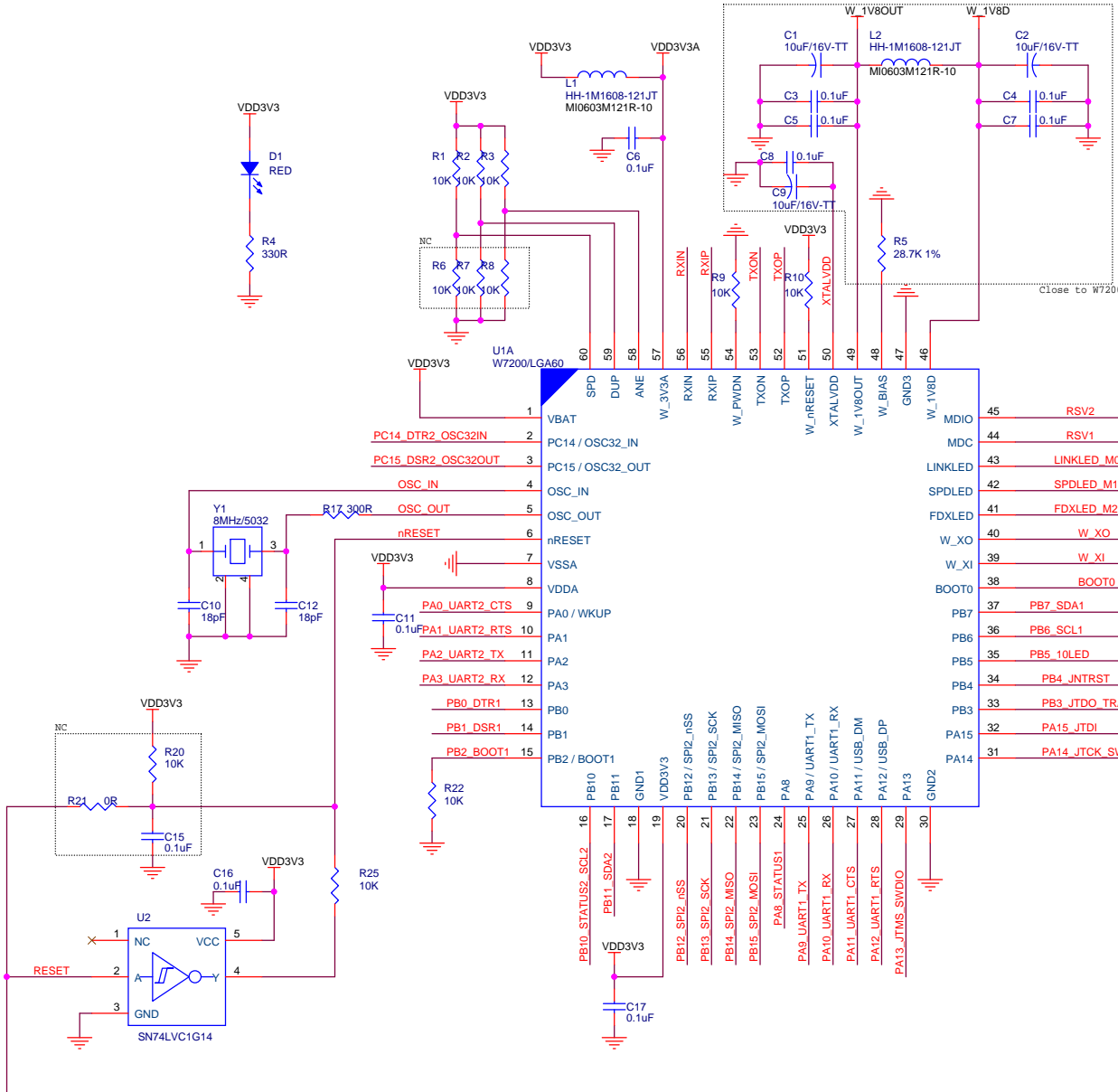
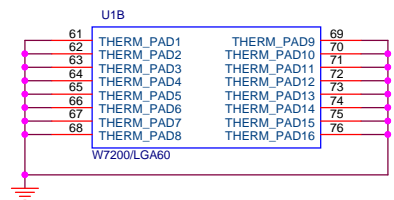
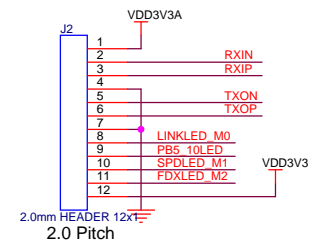
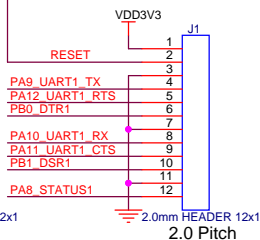
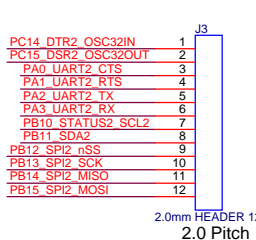


● Pin No.1 Position



BOOT CONFIG.

JP1	BOOT MODE
OPEN	RUN MODE
SHORT	PROGRAM MODE