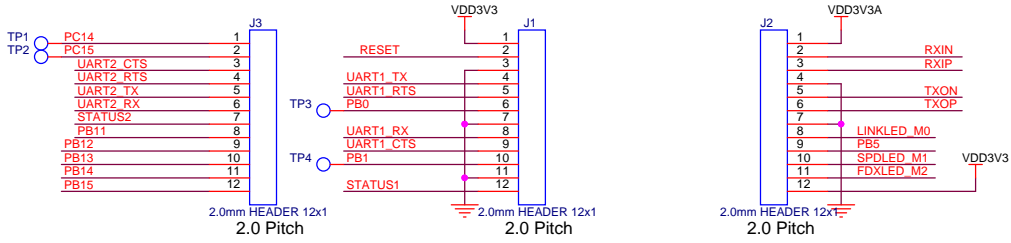
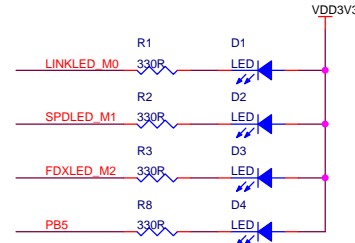


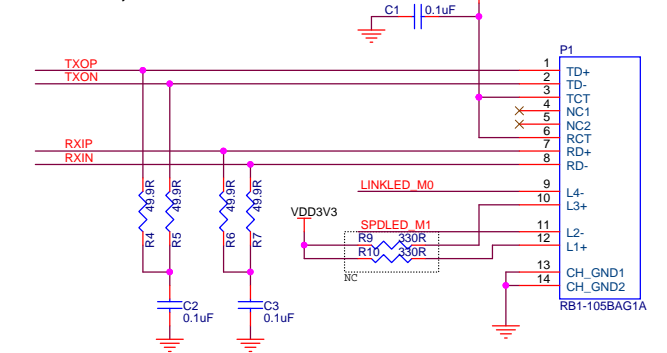
CONNECTOR



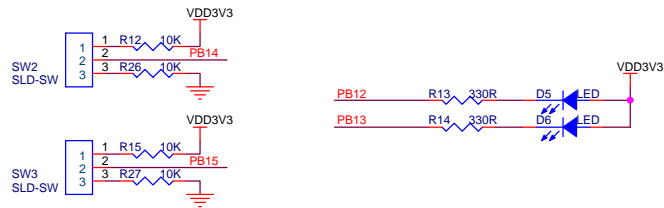
ETHERNET STATUS



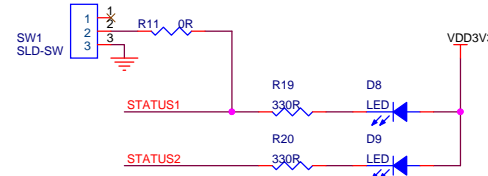
RJ45 W\MAGNET



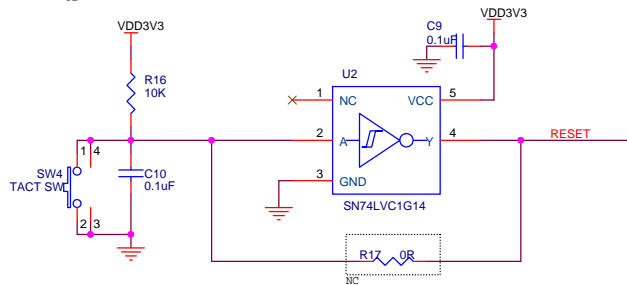
GPIO IN/OUT



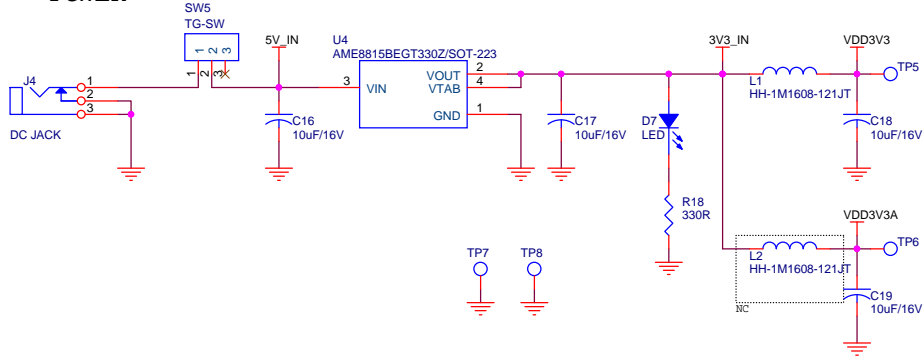
CONNECTED STATUS/HW TRIGGER



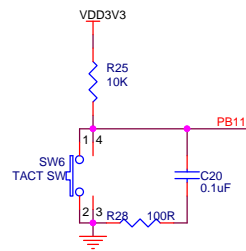
RESET



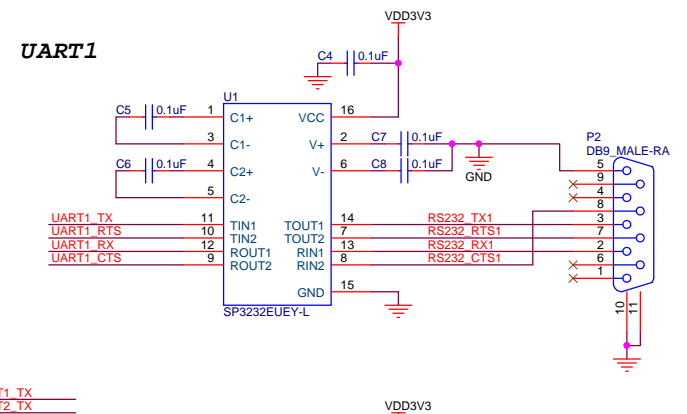
POWER



FACTORY RESET



UART1



UART2

