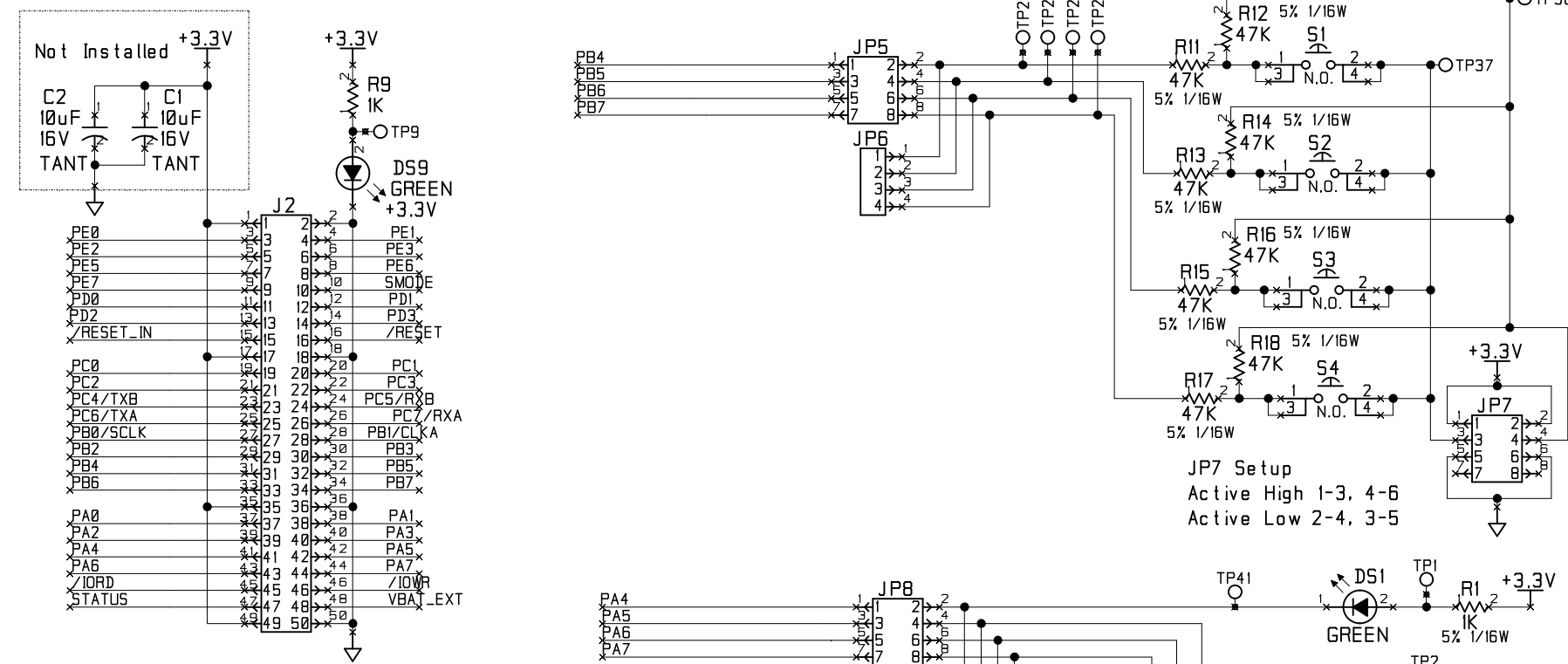
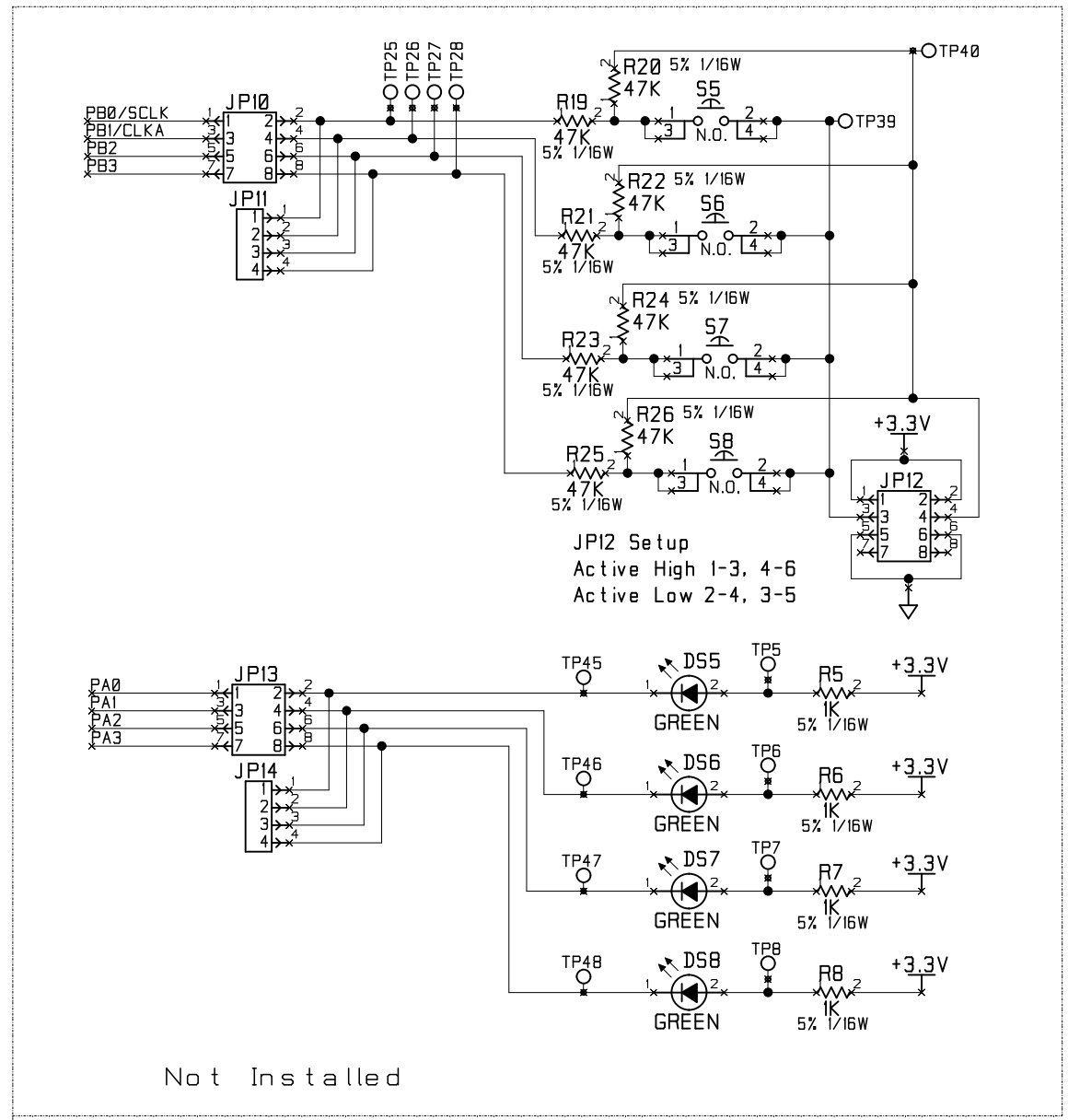


# DIGITAL I/O - RCM56/57XX

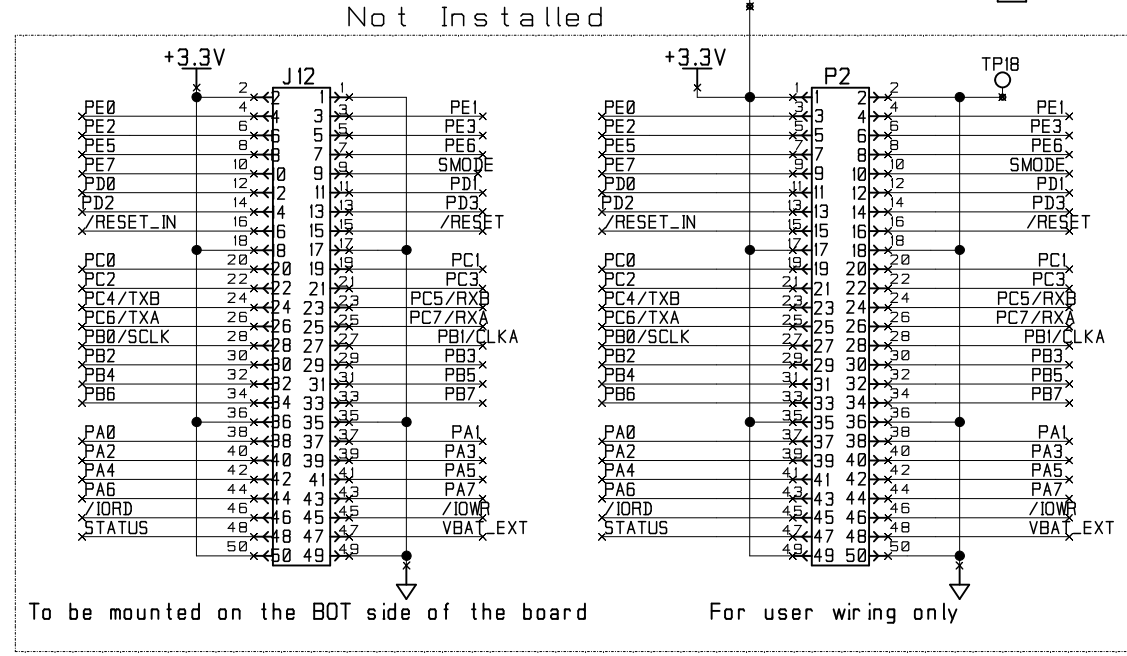
REVISION HISTORY			REVISION APPROVAL			
REV	ECO	DESCRIPTION	PROJECT ENGINEER	APPROVAL DATE	DOCUMENT CONTROL	APPROVAL DATE
A		Pilot Run	L.Y.			
B		Change R31-R38 to 3.3K on SBC side	L.Y.			



To be mounted on the TOP side of the board



Not Installed



To be mounted on the BOT side of the board

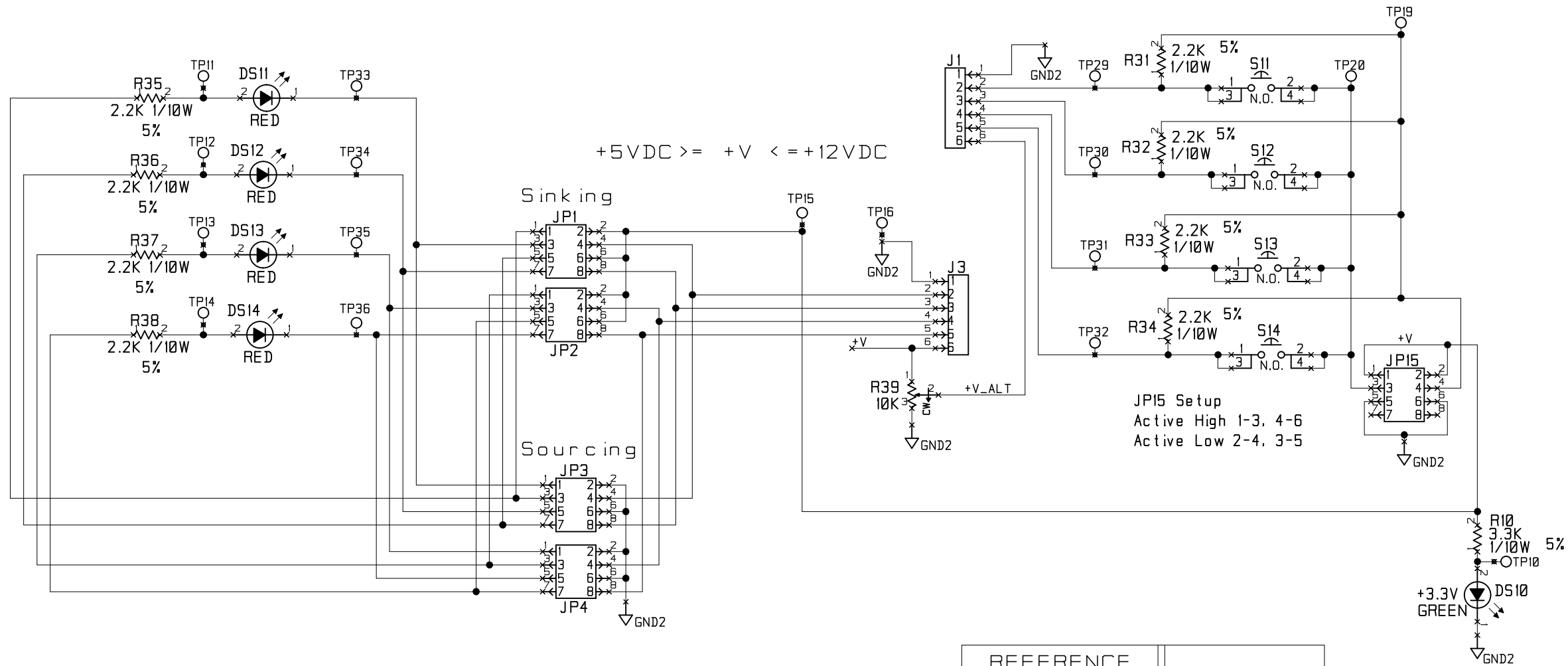
For user wiring only

- NOTES: UNLESS OTHERWISE SPECIFIED;
- ALL RESISTOR VALUES ARE IN OHMS, 1/16W, 1% UNLESS LABELED
  - THE ORIGATION SOURCE OF A VOLTAGE IS REPRESENTED BY (  $V_{CC}$  ), AND ALL REFERENCES TO THAT VOLTAGE ARE REPRESENTED BY (  $V_{CC}$  ).
  - COMPONENT VALUES SHOWN WITH AN ASTERISK (\*) FOLLOWING THE VALUE OR DASHED BOX, MAY HAVE DIFFERENT VALUES, OR MAY NOT BE STUFFED.

07-03-08 3:20PM

APPEND THE FOLLOWING DOCUMENTS WHEN CHANGING THIS DOCUMENT:	DRAWING CONTENT:	TITLE	RABBIT
	DRAWN BY: (INITIAL RELEASE) L.Y. 06-02-08	DIGITAL I/O - RCM56/57XX	
	REVISED BY: L.Y. 07-03-08	APPROVALS: INITIAL RELEASE	www.rabbit.com
	PROJECT ENGINEER: L.Y. 06-02-08	SIZE	B
	ENGINEERING MANAGER: X.T. 06-02-08	DWG NO.	
	SIGNATURES	DATE	090-0272
		SCALE	NONE
		RELEASE DATE	
		SHEET	1 OF 2

# DEMO Board



Jumper Setup

LEDs	Sourcing	Sinking
DS11(LED1)	JP3(1-2,3-4)	JP1(1-2,3-4)
DS12(LED2)	JP3(5-6,7-8)	JP1(5-6,7-8)
DS13(LED3)	JP4(1-2,3-4)	JP2(1-2,3-4)
DS14(LED4)	JP4(5-6,7-8)	JP2(5-6,7-8)

REFERENCE DESIGNATORS	LABELS
S11	SW1
S12	SW2
S13	SW3
S14	SW4
DS11	LED1
DS12	LED2
DS13	LED3
DS14	LED4