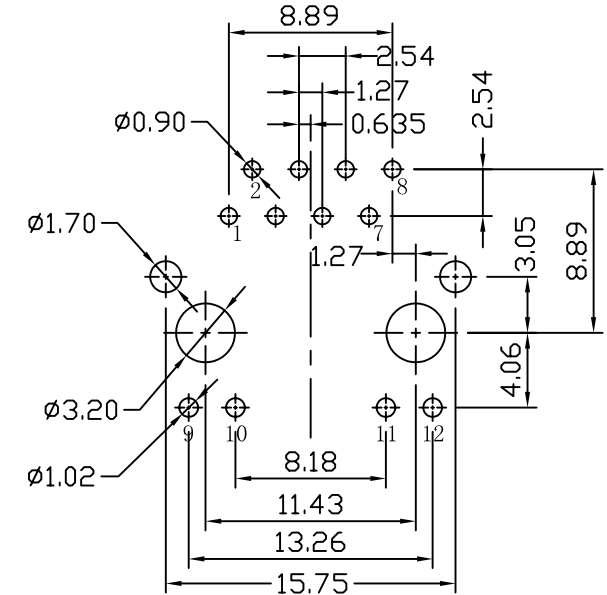
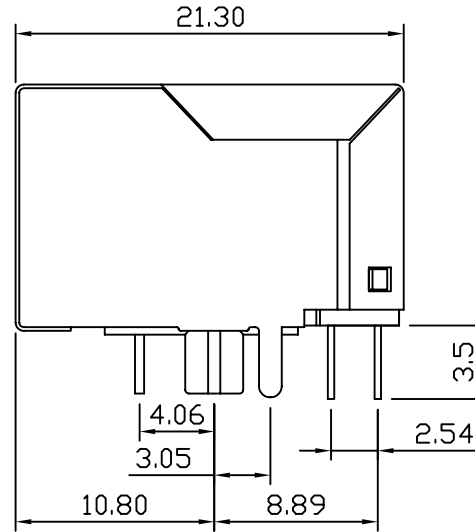
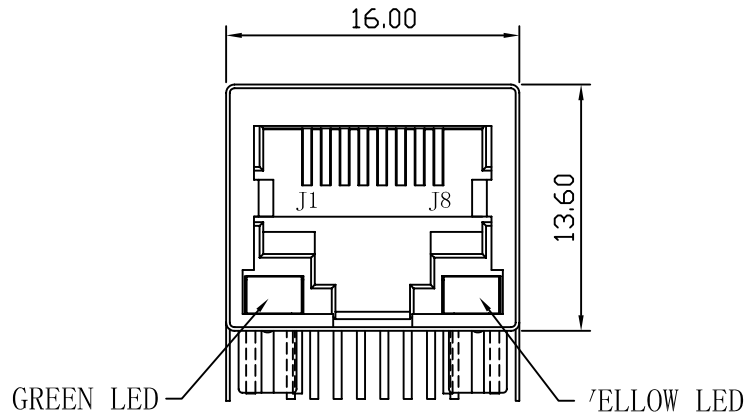
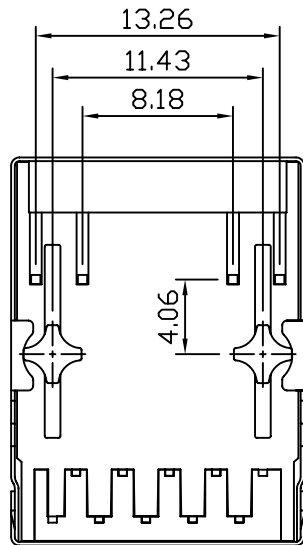


Mechanical:

REV.	ECN NO.	DESCRIPTION	DATE	APPD
A	REL		2010/05/31	



SUGGESTED PCB LAYOUT (TOP VIEW)



NOTES:

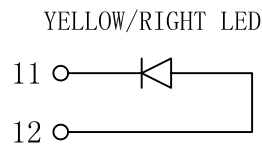
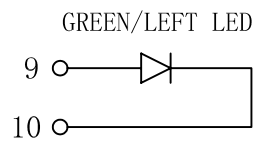
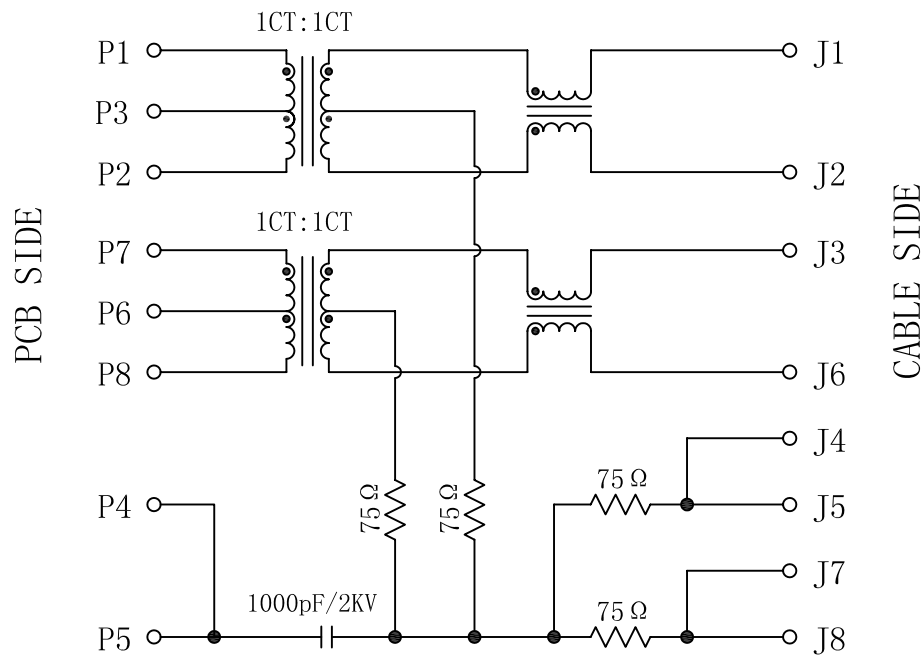
1. Designed to support application, such as SOHO (ADSL modems), LAN-on-Motherboard (LOM), hub and Switches.
2. Meets IEEE 802.3 specification
3. Connector Materials:  
 Housing: Thermoplastic UL94V-0  
 Contact/Shield: Copper alloy  
 Shield plating: Nickel  
 Contact plating: Gold 6 micro-inches min. In contact area.
4. Wave solder tip temperature: 265°C Max  
 Wave solder tip temperature time: 5 Sec Max
5. UL Certification: File Number E321120



X:X ±0.30	APPD:	BOCON
X:XX ±0.20	CHKD:	Beijing BOCON Automation Tech.Co., Ltd
X:XXX ±0.05	DR: C. H. Y	TITLE: RJ45 Connector With 10/100 Base-TX Integrated Magnetics
ANGLES ±1°	UNIT: mm	PART NO.: B-TRJ4070HBNL
	SCALE: 2/1	SHEET: 1/2
	REV: A	DWG NO.: TRC10053102

Schematic:

REV.	ECN NO.	DESCRIPTION	DATE	APPD
A	REL		2010/05/31	



ELECTRICAL SPECIFICATIONS @25°C

- Turn Ratio( $\pm 3\%$ ):  
 (P1-P2) : (J1-J2)=1:1  
 (P7-P8) : (J3-J6)=1:1
- Inductance:  
 (P1-P2) : 350uH MIN @100KHz 0.1V, 8mA DC Bias  
 (P7-P8) : 350uH MIN @100KHz 0.1V, 8mA DC Bias
- Insertion Loss:  
 -1.2dB MAX @ 0.1-80MHz
- Return Loss:  
 -18dB MIN @ 1-30MHz  
 -12dB MIN @ 30-80MHz
- Cross talk:  
 -35dB TYP @ 0.1-100MHz
- Common To Common Mode Attenuation:  
 -30dB TYP @ 30-100MHz
- Hipot Test:1500VAC
- Operating Temperature Range: -40°C TO +85°C

X:X	$\pm 0.30$	APPD:	BOCON	
X:XX	$\pm 0.20$	CHKD:	BeiJing BOCON Atuomation Tech.Co., ltd	
X:XXX	$\pm 0.05$	DR: C. H. Y	TITLE: RJ45 Connector With 10/100 Base-TX Integrated Magnetics	
ANGLES	$\pm 1^\circ$	UNIT: mm	PART NO. : B-TRJ4070HBNL	
	SCALE: 2/1	SHEET: 2/2	REV: A	DWG NO. : TRC10053102